

# RS232-1GF1GT

## 2-port Gigabit industrial guide rail fiber transceiver



- 1 Gigabit copper ports and 1 Gigabit fiber ports are provided
- The copper ports support 10/100/1000 Mbps self-adaptation; all ports support MDI/MDIX
- Applicable voltage range DC9~48V, dual redundant power supply
- EMC industrial rating level 4 electromagnetic compatibility standard
- Having IP40rated aluminum enclosure and strong shock-resistant rail base
- Applicable for operation at the ambient temperature of -40℃~85℃



### Product

RS232-1GF1GT is an industrial Ethernet switch with extended temperature ranges developed by Wintop Optical to fulfill needs in industries including smart traffic, expressways, smart cities, safe cities, new energy, smart manufacturing, and so on. The one Gigabit copper port and one Gigabit fiber port provide a high packet forwarding rate and an ample back plane bandwidth, making the transmission of images clear and smooth.

Having an IP40 rated aluminum enclosure, a rail base designed to withstand severe vibration, and good EMC electromagnetic compatibility, this series of product is capable of working stably and reliably in extreme-temperature (-40°C to 85°C) and rugged industrial environments.

### Product features

- 1 Gigabit copper port and 1 Gigabit fiber port;
- Capable of working with full load under the temperature of -40 ~ 85 °C;
- The voltage ranges between DC9~48V, and dual redundant power supply is provided;
- IP40-rated protection, fan-free design, shock-resistant aluminum enclosure;

### Product properties

#### Applicable standards

IEEE 802.3 10BaseT  
 IEEE 802.3u 100BaseT  
 IEEE 802.3z 1000BaseFX, IEEE 802.3ab 1000BaseT

#### Switching feature

**Back plane bandwidth:** 4 Gbps  
**List of MAC addresses:** 2K

#### Port

**Fiber port:** 1000 Mbps  
**Copper port:** 10/100/1000 Mbps self-adaptive, Full/Half duplex mode, MDI/MDI-X supported.

**LED indicator:** PWR, L/A

#### Power source requirement

**Input voltage:** DC9~48V (redundancy)  
**Full-load power consumption:** 2W  
**Input current** Maximum DC current, 400mA

#### Physical properties

**Enclosure:** Aluminum enclosure, IP40-rated protection  
**Size:** 116 x 85x 37 mm  
**Weight:** 430g

**Mounting method:** Guide rail type

#### Environmental restrictions

**Working temperature:** -40 ~ 85°C (-40 ~ 185°F)  
**Storage temperature:** -40 ~ 85°C (-40 ~ 185°F)  
**Relative ambient humidity:** 5 ~ 95% (non-condensing)

#### Standards and certification

**EMS:**  
 IEC61000-4-2(ESD) level 4, IEC 61000-4-4 (EFT) level 4, IEC 61000-4-5(Surge) level 4

**Anti-vibration performance:** IEC 60068-2-6

**Shock resistance:** IEC 60068-2-27

**Free fall:** IEC 60068-2-32

**Note:** Please go to the official website of Wintop Optical for the latest certification status.

**MTBF** (mean time between failures)

**Time:** 500000 h

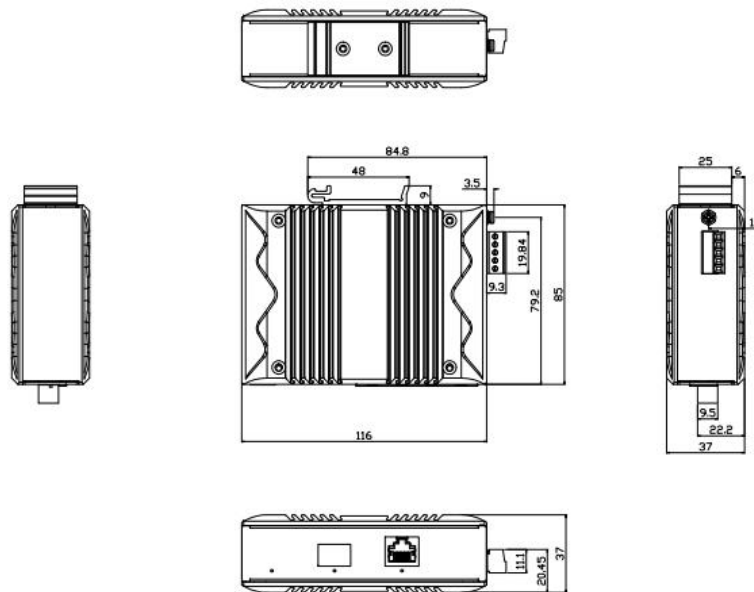
#### Warranty

**Quality assurance:** 5 years

## Fiber properties

	1000BaseFX	
	Multimode	Single mode
Wavelength	850 nm	1310 /1550nm
Maximum transmission	-3 dBm	0 dBm
Minimum transmission	-8 dBm	-10 dBm
Receiving sensitivity	-19 dBm	-22 dBm
Link budget	11 dB	12 dB
Typical distance	550 m	20 km
Saturation	-3 dBm	-3 dBm

## Product size (mm)



## Order information

Optical model	Port type			
	10/100BaseT	10/100/1000BaseT	1000BaseFX	
			Single mode	Multimode
RS232-1GF1GT	-	1	1	

### Packing list

- Ethernet switch
- Installation accessories
- User's Manual
- Warranty Card & Conformity Certificate