

FT-210 Series – TurboFlow® Low Flow Turbine Sensor

- ▶ Low Flow Rates .1 to 2.5 LPM and High Accuracy $\pm 3\%$ of Reading
- ▶ Lightweight Turbine Ensures Fast Startup
- ▶ Mounts In Any Orientation

Gems FT-210 features proven turbine technology in a small package for low flow applications. The turbine technology provides a highly repeatable sensor ideally suited for measurement of either volume dispensing and/or flow rate applications. The small turbine reacts quickly to on/off dispensing applications. Each sensor is 100% tested, ensuring years of service life.

Specifications

Wetted Materials	
Body	Nylon 12 (Grilamid TR55)
Turbine	Nylon 12 Composite
Bearings	PTFE/15% Graphite
Operating Pressure	350 PSI (24 bar)
Burst Pressure	1400 PSI (97 bar)
Flow Range	.026-.65 gallons/minute 0.1-2.5 liters/minute 3.4-84.5 ounces/minute
Pulses	83,200 per gallon 22,000 per liter 650 per ounce
Frequency Output	36.6-917 Hz
Operating Temperature	-4°F to 212°F (-20°C to 100°C)
Viscosity	32 to 70 SSU (.8 to 16 Centistokes)
Filter	<50 Microns
Input Power	5 to 24 VDC
Output (Hz)	NPN Sinking Open Collector @ 20mA Maximum Leakage Current 10 μ A (3K-30K Pull up resistor required)
Accuracy	$\pm 3\%$ of Reading
Repeatability	0.5% of Full Scale
Electrical Connection	9.4mm Spacing 3-pole DIN Connector (1" high)
Inlet/Outlet Ports	1/4" NPT (1/4" G Male also available)

How To Order

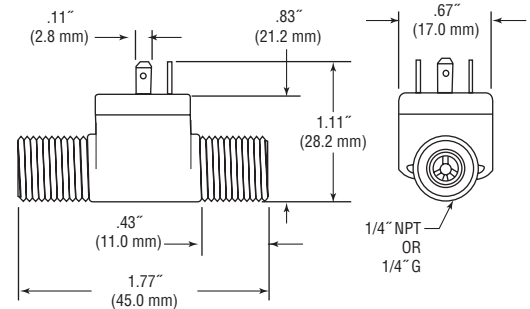
Specify a Part Number for the Port Connection AND a Part Number for the DIN Electrical Connection. Two Part Numbers are required for a complete part assembly.

Part Number 1 Port Connection (Thread Style)		Part Number 2 DIN Connector Style	
Description	Part Number	Description	Part Number
1/4" NPT	212465	1 meter DIN Cable Assembly with 10K pull-up resistor	218572 ⚡
1/4" G	212460	Mating DIN Connector	212404 ⚡

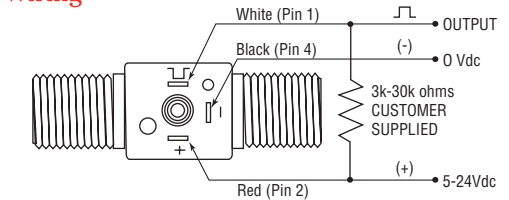
⚡ – Stock Items.



Dimensions

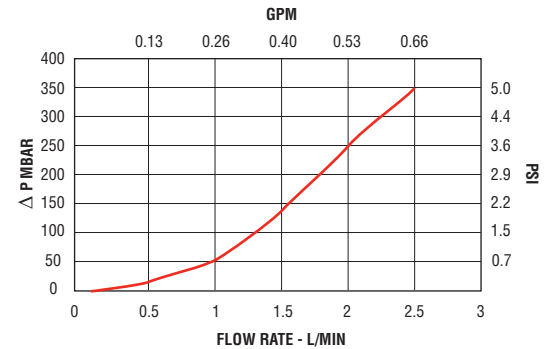


Wiring



Pin Code: 1 = Output
2 = Supply
4 = Common

Pressure Drop—Typical



See Flow Sensor Display and Power Accessories in the Master Catalog.

Rate Meters and Totalizers complete your flow monitoring system.