

SDC-H1T1 7' " ty...lî—

▣C

- z U^¾E"}B«^
- z yOî3"ty~†
- z U"£"ty~† Â4) ÂÝ)
- z öÖÿß'Z8 y 0...10V Ю...20mA ê2...10V №...20mA k
* é¿#+
- z ¿ 'Zÿß8 U* q•Ä€²-
- z u@'Z JýfOU* q•Ä€²-
- z U#F iªPyq•Ä€g OPA-S hê▣è"ªPyq•Ä€g OPC-S h
- z LED ÛÁ6P

€Ð

- z J,ø•*îyq²@î î3 ›î"ty~†yo
- z "£ êË"ty~† Â4) ÂÝ)
- z !, "ty~†

é

t... By... lî—

4 ©ç"~†J ~J }B«^yO,+~†kk•nß~yo"tož... yo ÐUG'î' U'ÂCxÊ I
 Äoz³Ôò~?a+"†C~†Jý%²)kwÿGÄ— JýfO'í,• u@'ZY'zt §€kÇG'Z8
 'ÿèÿß'ZožöÖyo8 © 0...100 %RH k-40...60°C g-40...140°F 10 aJýožyo8 yJýfOUY* q
 •Ä€— ož
 öÖ'Zÿß8 y•°U* é¿#+ožöÖ'Zÿß8 © 0...10 VDC ø2...10 VDC ø4...20 mA y 0...20 mA ož ¿
 'Z8 ·Ä* q•Ä€g OPA-S ê OPC-S h— ožò-▣è"ªPU#ÇE OPC-Sož
 £3šB£Ûš
 îUY* q•Ä€-HCMâÂ4) ÂÝ)ožÂ4) ÂÝ)cýUYt •ÿß'Zož [t ¥" EEPROM ¥
 ~Äkœ4J - k äož

1Y

°Zdf	°ZWA	T / #¾
SDC-H1T1-08-A3-1	40-30 0 150	MSx† 77 mm k mF^ AMC-1 k mnß~ AES3-HT-A3
SDC-H1T1-16-A3-1	40-30 0 151	MSx† 157 mm k mF^ AMC-1 k mnß~ AES3-HT-A3
SDC-H1T1-24-A3-1	40-30 0 xxx	MSx† 237 mm k mF^ AMC-1 k mnß~ AES3-HT-A3
SDC-H1T1-x	40-30 0 xxx	"†8 y -40...60°C g-40...140°F hg ó•h
SDC-H1T1-x-W1	40-30 0xxx -1	"†8 y -35...35°C g-31...95°F h
SDC-H1T1-x-W2	40-30 0xxx -2	"†8 y 0...50°C g32...122°F h
SDC-H1T1-x-W3	40-30 0xxx -3	"†8 y Ôó²...

^Äª]

°Zdf	°ZWA	▣† [%RH]	▣† [K] @25°C g77°F h	T / #¾
AES3-HT-A2	40-50 0 102	±2	±0.3	"~†}B«^
AES3-HT-A3	40-50 0 103	±3	±0.4	
AES3-HT-A5	40-50 0 104	±5	±0.5	

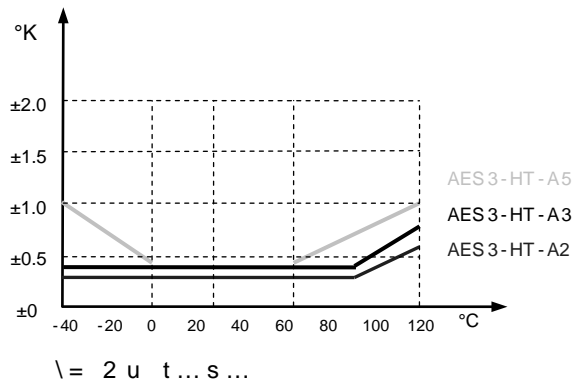
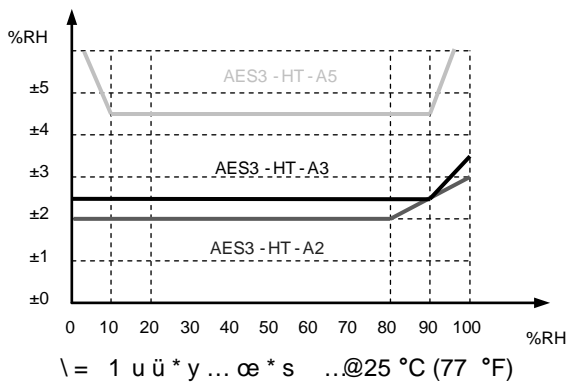
\]

°Zdf	°ZWA	T / #¾
OPC-S	40-50 0029	▣è"ªPyq•Ä€
OPA-S	40-50 0006	iªPyq•Ä€
AMC-1 góFh	40-50 0073	Ø... JNãg PG9 °h

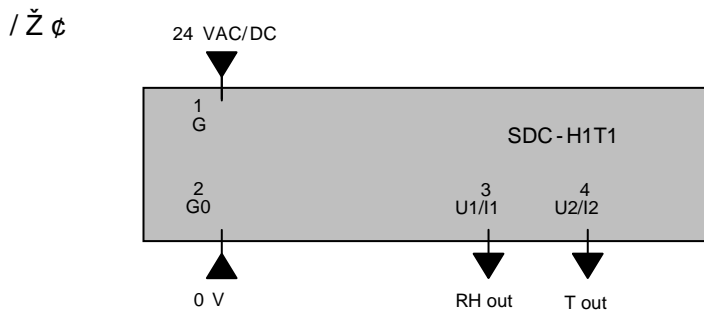
ê ± P

Š s! F ç•8yç •8U- — ÖC°ož ç... -è C° FID}Ä'ož

›	W• 9 Jg~ ô	24 VAC ± 10% k 50/60 Hz k 24 VDC ± 10% SELV 8 ² HD 384 k Class II k 48 VA Ä Ý Ä Ý 2 VA
	H N	N ç € ý ç Ø 0.34...2.5 mm ² gAWG 24...12 h
}ß«^	~†nß~ : 8 yO±† ÿ MÖÄ l Ä	}ß«^ 0...100 %RH @ ð • n 1 ± 1% ± 0.1% < 0.5%/ v
	“†nß~ : 8 yO±† MÖÄ	k•nß~ -40...70°C g-40...158°F h @ ð • n 2 ± 0.1 °C k ± 0.2 °F
'Zÿß	%'Oÿß ÿß'Z ã ä ç ú	DC 0/2...10 V ê 0/4...20 mA 10 Bit k 9.7 mV k 0.0195 mA 9y ≥ 1 kΩ k v y ≤ 250 Ω
ê Ë	gÚ^ H~Ú^ “† ~† ÿy≠WÚ^ H~Ú^ “† ~† Ñ Ú^	8 ² IEC 721 -3-3 Class 3K5 -40...70°C g-40...158°F h < 95 %RH k ³ Ë ° 8 ² IEC 721 -3-2 y IEC 721 -3-1 Class 3K3 y Class 1K3 -40...80°C g-40...176°F h < 95 %RH k ³ Ë ° Class 2M2
ö Ö	CE 8 ² EMC 6X z 96X D}ö Ö C•w (~Oò MÄ Ä W C G ö Ö ' ^ ¶ ^ y Ä 8 g ç ^a c ⁻ • 8	2014/30/EU 2014/35/EU EN 60 730 -1 M ý 0 y EN 60 730 -1 t y EN 60 730 -1 IP60 8 ² EN 60 529 III 8 ² IEC 60536
•	μ Ö Ö ‰ j ä Ö ‰ RoHS ö Ö > *g H x W x D h Ö MS MOg , xh SDC-H1T1-08-A3-1 SDC-H1T1-16-A3-1	Š ÆPC+ABS .> ‰ (UL94 Class V -0) PTFE .C 1 μm Ö ‰ 2011/65/EU 68 x 91 x 47 mm Ø 14 x 77/157 mm 227g 262g



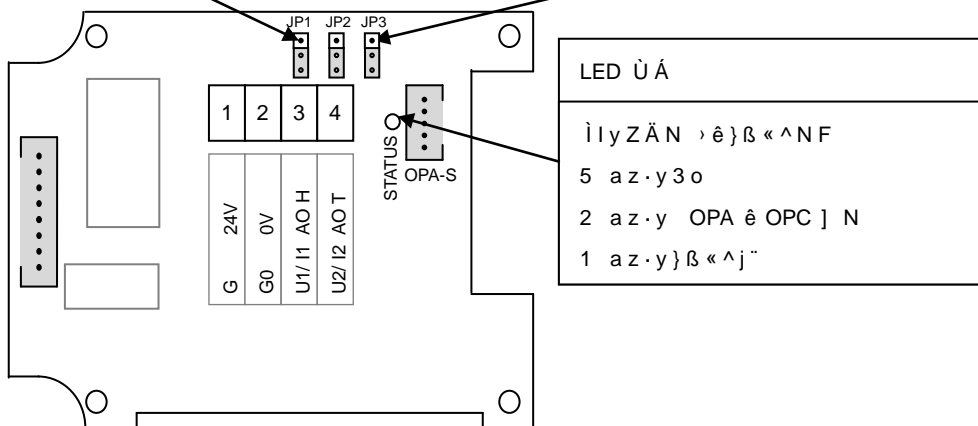
=) mm



„Ž f“

JP1, JP2 Signal type	
3	U1 / U2
2	0-10 V, 2 -10 V
1	
3	I1 / I2
2	0-20 mA, 4 -20 mA
1	

JP3 Signal range	
3	U1, U2: 0-10 V
2	I1, I2: 0-20 mA
1	
3	U1, U2: 2-10 V
2	I1, I2: 4-20 mA
1	



€ ý 1 yG	›	24 VAC, +24 VDC
€ ý 2 yG0	›	0 V z › œ % ' O ý μ k % ' O ý ß , a
€ ý 3 yU1/I1	J ý ß • °	JP1 = 1 -2 k ~ † 9 ý ß / JP1 = 2 -3 k ~ † v ý ß
€ ý 4 yU2/I2	J ý ß • °	JP2 = 1 -2 k " † 9 ý ß , / JP2 = 2 -3 k " † v ý ß
	ý ß ' Z 8 g 3 y 4 h	JP3 = 1-2 k 0...10 V/0...20 mA ê JP3 = 2-3 k 2...10 V/4...20 mA

20fZ G

Gx'

¥D}•¥ x**í'3 kv*H}ûñ çy

z àYÍÑêòÒ&' 2-3 œ yâ B±ûñ yO|çož

z 1>Înß~ x' ÎM yâk òÄ>ÎÍó k é¬ "Íó •yâož

?d'

J ~U* 2...@f—âÛ¼ñ 9__•ož@f* q•Ä€

OPA-S — k-UY• i^aP~ož

î''

@f	T	8	ö Ö ›
IP 00	Tl1 y%y ^a Pk- = OFF k ^T = ON	ON, OFF	OFF
IP 01	Tl1 y ifHý)f	1...255	10
IP 02	Tl1 y û Ö	-10...10	0
IP 03	Tl1 y "†Â4 ^a P ›	-40..255 -	0 -
IP 04	Tl1 y "†ÂÝ ^a P ›	-40..255 -	50 -
IP 05	H1 y āA ^a P	ON, OFF	ON
IP 06	H1 y ifHý)f	1...255	10
IP 07	H1 y û Ö	-10...10%	0

îb'

@f	T	8	ö Ö ›
OP 00	ÿß AO1: ~†'Zÿß Fâ 0= Ž~†FØ 1= ~†Â4 › gyO7WÂ4 ›h 2= ~†ÂÝ › gyO7WÂÝ ›h	0..2	0
OP 01	ÿß'Z AO1 Â4' ›	0...ÂÝ%	0%
OP 02	ÿß'Z AO1 ÂÝ' ›	Â4...100%	100%
OP 03	ÿß AO2 y"†'ZÿßFâ 0= Ž "†FØ 1= "†Â4 › gyO7WÂ4 ›h 2= "†ÂÝ › gyO7WÂÝ ›h	0..2	0
OP 04	ÿß'Z AO2 Â4' ›	0...ÂÝ%	0%
OP 05	ÿß'Z AO2 ÂÝ' ›	Â4...100%	100%

?d'

©%².´ °J ~kÿGñ¬ #@fkUâñ^a •©Íož

@f l%A' kU* ©ç5â"w@fy

1. cž7{ p 3 aUk@â³l1^aP ÚAož
2. ... p#+%Aož* #+ 0009 BHFâ@fk#+3G% Ae7Xpož
3. •ek* p ñ IP @fêOP @fk#ñe7XpG•ož
4. 3^aP @f g @fož4f nP@fZkÝf nP@f'ož
5. ... p#+@fož7Xp µ@f¼wk... p²...@fkÇ)7Xp g' ož
6. —â èek7XpêXp ›Oò%²ož
7. "47XpY•C%ožòçÝ 5 āUZÄ`~q•kJ ~ ›3o^aP ÚÁož
8. @fCf›Ð J~ ÿß'Z›k¬... ,• WiðÆBH@fçnož